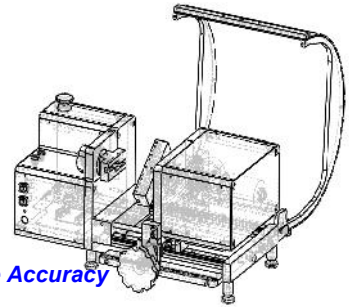
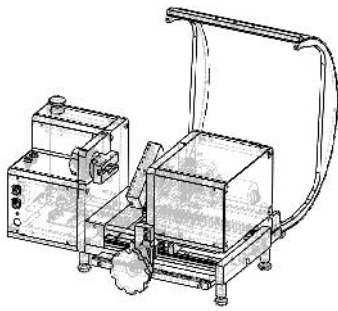


T-20



Specifications



- Torque Capacity 20 NM (177lbf-in)
- Torque Resolution 0.0004NM (0.0035lbf-in)
- Torque Accuracy $\pm 0.0016\text{NM}$ ($\pm 0.028\text{lbf-in}$)
- **Secondary Load Cell Possibilities:**

| Torque Cell Type | Torque Capacity | | Torque Resolution | | Torque Accuracy | |
|------------------|-----------------|--------|-------------------|----------|-----------------|--------------------|
| | NM | Lbf.in | NM | Lbf.in | $\pm\text{NM}$ | $\pm\text{lbf.in}$ |
| 2 | 2 | 17.7 | 0.00004 | 0.00035 | 0.00016 | 0.0028 |
| 0.100 | 0.100 | 0.88 | 0.00001 | 0.00009 | 0.00004 | 0.00036 |
| 0.010 | 0.01 | 0.088 | 0.000001 | 0.000009 | 0.000004 | 0.000036 |

Torque

- Continuous digital display or Torque/Angle graphical analysis tools and display
- Interchangeable torque cells
- Safe overload to 200% of FS (Software overload protection at FS). Maximum torsion arm load of 500N (112lbf) with 20Nm load cell

Angular Rotation

- Resolution: 0.01°
- Accuracy: $\pm 0.1^\circ$
- Absolute display of angle from 0 - 50000°. Angle zeroed anywhere in this range. Test angle absolute or from free position.

Fixtures

- Testing fixture with 4 pin hole sizes (for torque up to 20Nm) or optional 75mm (3.0") 3 jaw chuck (for torque up to 2Nm)

Body Length OD

- 152mm (6") Maximum
- 80mm (3.2") Maximum

Computer

- 2.4GHz (minimum) Dual Core processor
- USB port for PC data transfer
- Fully Microsoft Windows 2000, XP, Vista and Win 7 compatible)
- 17" SVGA Color monitor supplied with with PC

Languages

- English, German, Turkish

Software Features

- Active Torquecell Electronically Identified
- Programmable for automated testing, including spring rate results.
- Full reporting and printing capability available.
- SPC control charts available.
- Smart self calibration routines
- Automatic or manual determination of torsion rate (linear analysis)
- Nm, Nmm, kgf-m, gf-mm, kgf-cm, ozf-in, lbf-in and angles in degrees or revolutions

Units

Test speeds Dimensions

- 0 – 6 RPM, servo motion controlled
- 520mm x 228mm x 224mm (20.5"x9"x8.8") – LxBxH
- Weight 20kg (50lbs)

Power

- 110V~220V AC 1.5A (Maximum)



WWW.SASTESTERS.COM

Ph: +972-9-7603895

Fax: +972-9-7604849

E-Mail: Info@SASTESTERS.COM