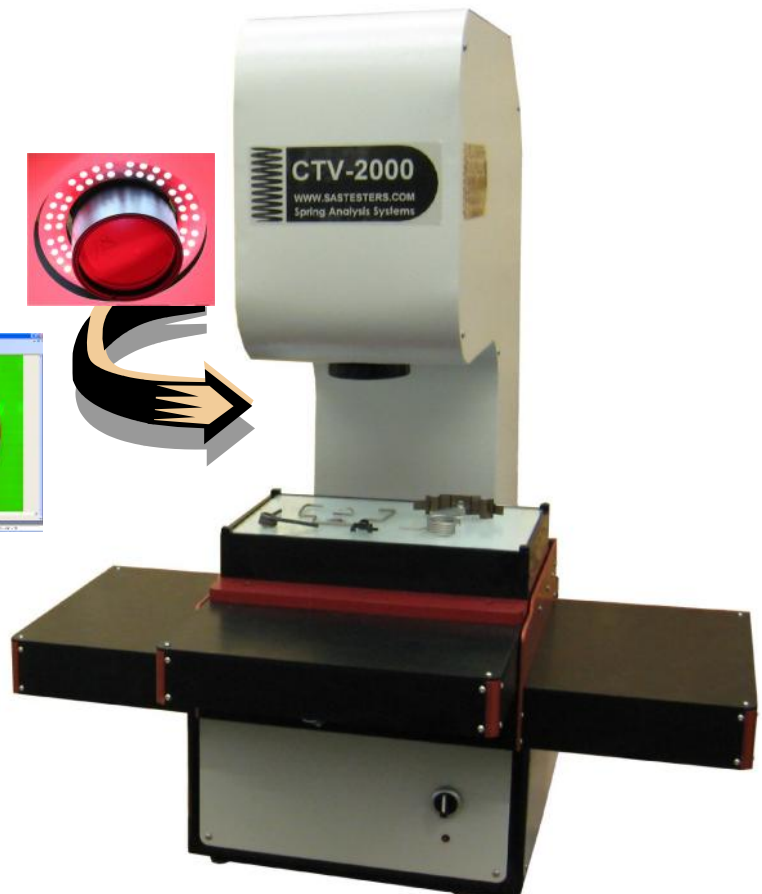
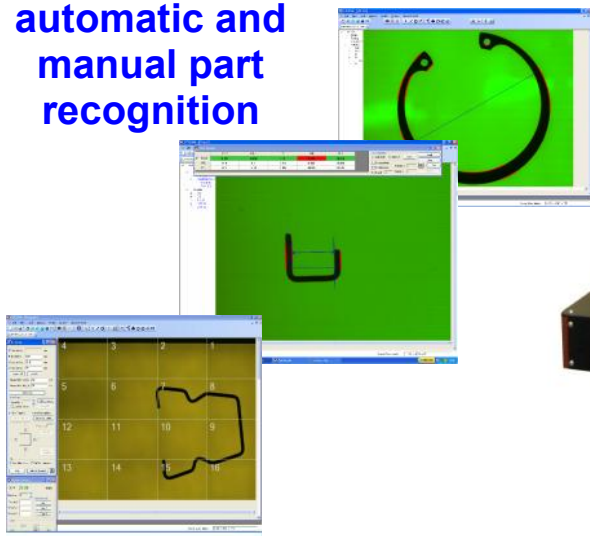


# CTV 2000XYZ HR Vision System

**Optional  
Programmable  
Front Light**



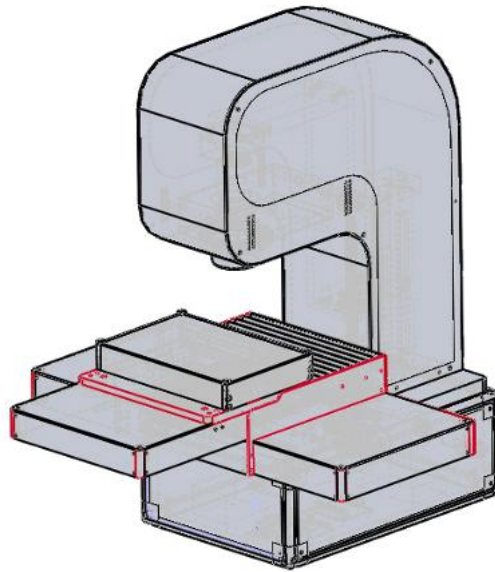
**Includes  
automatic and  
manual part  
recognition**



# Specifications

## CTV2000 XYZ HR

<b>Camera Type</b>	5Mpixel Industrial CMOS
<b>Lens</b>	1-7808 telecentric
<b>Lens connection</b>	C type
<b>Minimum part size</b>	0.5 x 0.5mm 0.02" x 0.02"
<b>Maximum part size</b>	160 x 180mm 6.3" x 7.1"
<b>Includes Z servo axis</b>	Yes
<b>Includes XY servo axes</b>	Yes
<b>Z axis resolution</b>	0.003mm 0.0001"
<b>XY axes resolution</b>	0.003mm 0.0001"
<b>XY axes accuracy</b>	±0.02mm 0.0008"
<b>Vision space resolution</b>	improves with smaller lenses 0.016mm, 0.0006" standard
<b>Vision space accuracy</b>	±0.003mm (±0.0001") only with sub-pixel interpolation
<b>Includes SPC</b>	Yes
<b>User Interface</b>	19" Wide LCD display
<b>PC minimum configuration</b>	Intel Core 2 Duo, 2.66GHz, 4Gbyte RAM 500Gbyte HDD
<b>Operating System</b>	Windows XP Pro, Vista or Win 7
<b>Optional Components</b>	<ul style="list-style-type: none"><li>• Industrial enclosure for PC, required for shop-floor use.</li><li>• Programmable IO Interface including IO hardware</li><li>• Programmable front ring light.</li></ul>
<b>Languages</b>	English, German , Turkish and Russian (translation to other languages available).



[WWW.SASTESTERS.COM](http://WWW.SASTESTERS.COM)

Ph: +972-9-7603895

Fax: +972-9-7604849

E-Mail: [Info@SASTESTERS.COM](mailto:Info@SASTESTERS.COM)

Specifications may change without notice